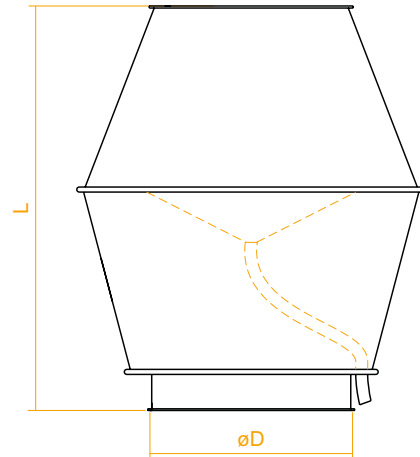


DEFLEKTOR HAUBE

1/1

verzinkt | Blechstärke 0,7 bis 1,0 mm



D	L	kg	Artikel Nr.
100	335	1,4	BRDH100
125	405	2,0	BRDH125
160	355	3,0	BRDH160
200	485	4,0	BRDH200
250	570	6,0	BRDH250
300	665	8,0	BRDH300
315	638	9,0	BRDH315
350	770	11,0	BRDH350
400	890	15,0	BRDH400
450	960	18,0	BRDH450
500	1155	24,0	BRDH500